

Windows -
made for life



SCHÜCO
PREMIUM PARTNER

ECO LOGIC

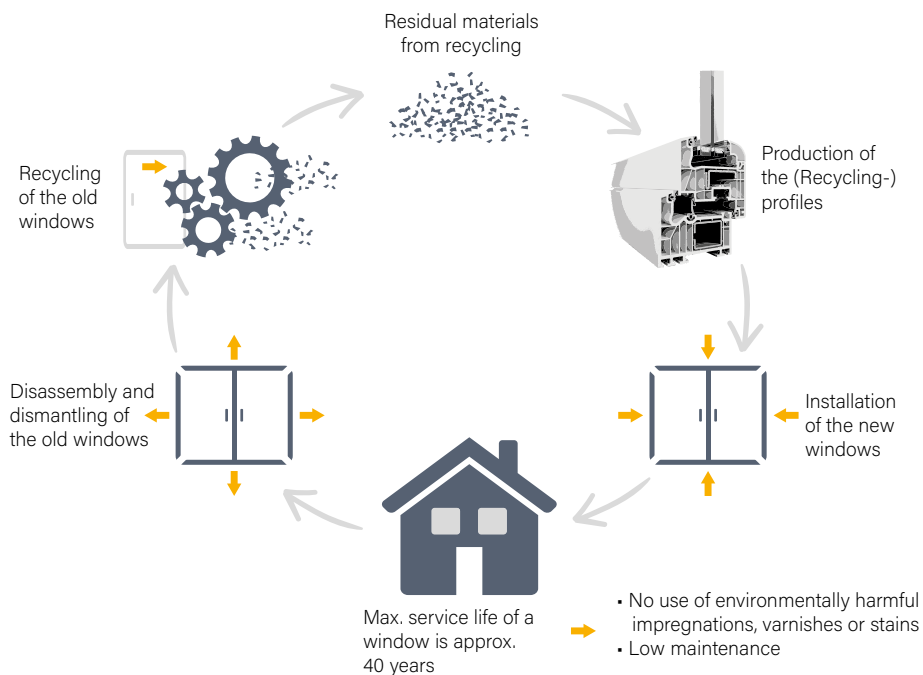
SUSTAINABILITY IN THE CONSTRUCTION SECTOR MEANS PLANNING, BUILDING AND OPERATING A PROPERTY IN SUCH A WAY THAT IT IS ECOLOGICALLY, ECONOMICALLY AND SOCIALLY SUSTAINABLE.

SOURCE: WWW.SCHUECO.COM

WINDOW RECYCLING

As raw materials become more scarce, prices for new products will rise in the long term. Sustainable resource management is more important than ever. Recyclable windows can be almost entirely recycled. Resulting in an almost pure PVC - U, which is on par with new PVC material.

This recycling process can be repeated at least seven times.



Schüco also meets the requirements of the voluntary commitment „VinylPlus®“ of the PVC - U industry, according to which the use of lead-containing substances is not recommended.

Instead of lead, Schüco only uses calcium and zinc as stabilizers and thus makes a valuable contribution to the environment.

Read more:



PROFILES AND TECHNOLOGY

Schüco Living 82
Schüco Living Alu Inside
Schüco FocusIng
Schüco CT 70
Technical information
Schüco LivingSlide Lift&Slide Door
Schüco FocusIngSlide Lift&Slide Door
Schüco EasySlide Lift&Slide Door
PVC - U front doors
Aluminum windows & doors

4

SURFACES, COLORS AND FOILS

Aluminum cover shells
Colors and foils
Brilliant highlights

12

ROLLER SHUTTERS, SHADING, INSECT PROTECTION

Radio roller shutters
Roller shutter box
Front-mounted roller shutters
Insect protection

14

SAFETY, COMFORT

Vault bolt locking system
Duo-SAFE locking system
activPilot Select
activPilot Top Select
activPilot Comfort PADK / PAD
SCS+ Option
Safety for your home
Fully automatic safety locking system

16

PROFILES AND TECHNOLOGY



CONTEMPORARY ENERGY MANAGEMENT IS WHEN...

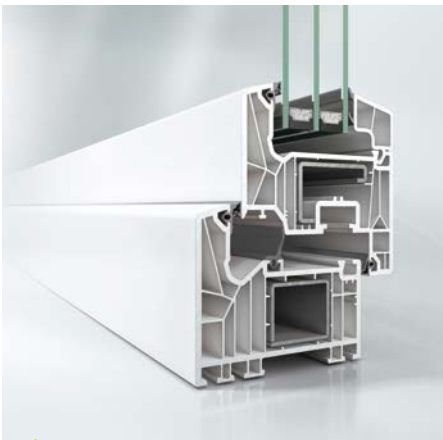
- ...windows insulate optimally in winter as well as in summer
- ...intelligent ventilation systems manage everything
- ...the energy demand for heating and air conditioning is low

SCHÜCO LIVING 82

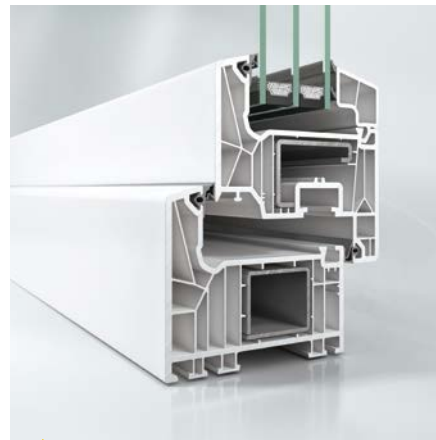
Individual well-being

Living 82, the 7-chamber window system from Schüco with its very slim design, brings abundant light into the room. This not only creates a feel-good atmosphere through bright rooms, but also saves energy.

This Schüco Living 82 can be combined with insulating and functional glazing with thickness from 24 to 52 mm. This window is available in two versions: with a center seal with three sealing levels (Schüco Living 82 MD) and with a rebate seal with two sealing levels (schüco Living 82 AS).



LIVING 82 MD



LIVING 82 AS

LIVING 82 MD - CLASSIC

U_w

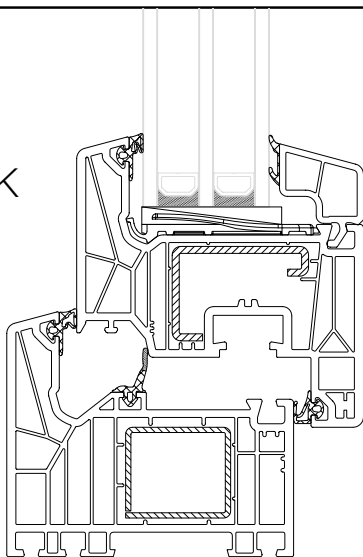
up to 0,74 W/m²K

U_f

up to 1,0 W/m²K

R_w

up to 47 dB



LIVING 82 AS - CLASSIC

U_w

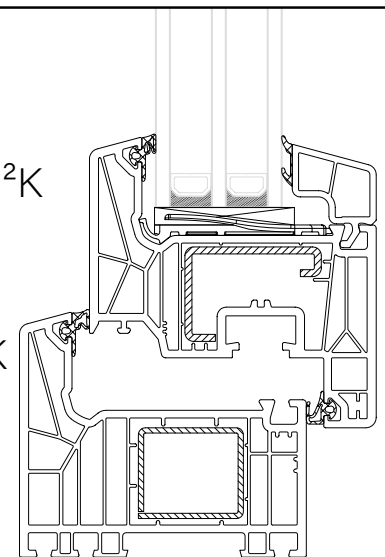
up to 0,77 W/m²K

U_f

up to 1,1 W/m²K

R_w

up to 47 dB



SCHÜCO LIVING ALU INSIDE

Window technology with XXL view

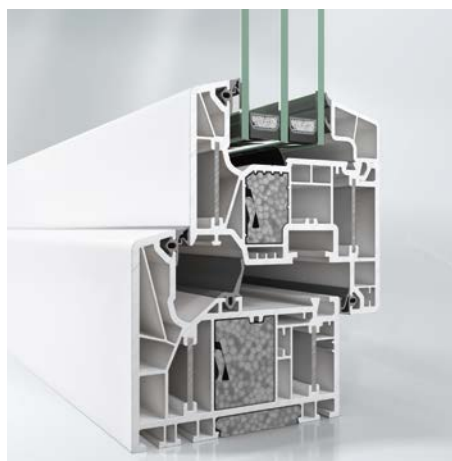
Need to put on your sunglasses when you walk in the front door?

Not quite – but almost, because Schüco Living Alu Inside will impress you with its extraordinarily large window areas. Nevertheless, the window still has a very high level of insulation! Schüco Living Alu Inside stands for revolutionary window technology offering living comfort that meets the highest standards.

Design in white, colored or natural wood grain, can be equipped with additional extras for your individual requirements. Insulating capacity can be further increased by using insulating wedges.



LIVING ALU INSIDE
- STANDARD



LIVING ALU INSIDE
- WITH INSULATING WEDGES

LIVING ALU INSIDE - STANDARD

U_w

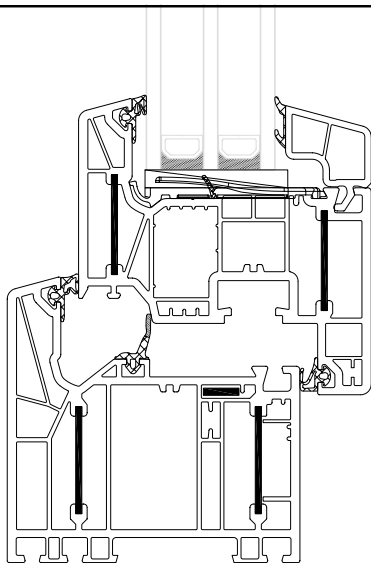
up to 0,72 W/m²K

U_f

up to 0,91 W/m²K

R_w

up to 44 dB



LIVING ALU INSIDE - WITH INSULATING WEDGES

U_w

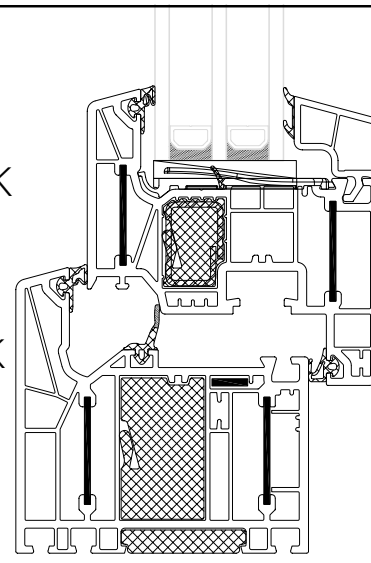
up to 0,69 W/m²K

U_f

up to 0,81 W/m²K

R_w

up to 44 dB

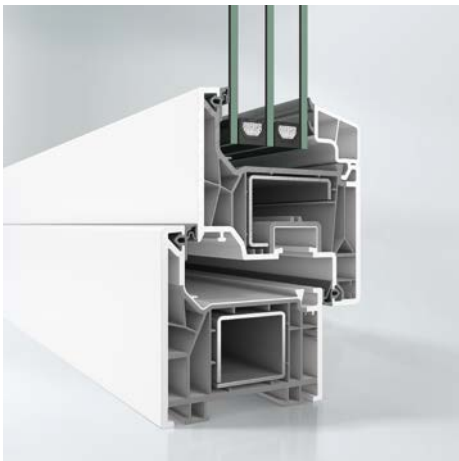


SCHÜCO FOCUSING

The innovative PVC-U window system

Modern, sustainable, high-performance – the Schüco Focusing window system has been specially developed to meet the requirements of new builds and refurbishments. It combines minimalist design with high functionality and environmental awareness. Thanks to its clean lines, it blends perfectly with modern façades whilst offering outstanding technical performance.

- a clean, angular design that reflects current architectural trends
- resource-efficient use of materials, with a high proportion of recycled content in the inner core
- maximum performance thanks to excellent thermal insulation, reliable burglary resistance up to RC 2 and sound insulation of up to 48 dB

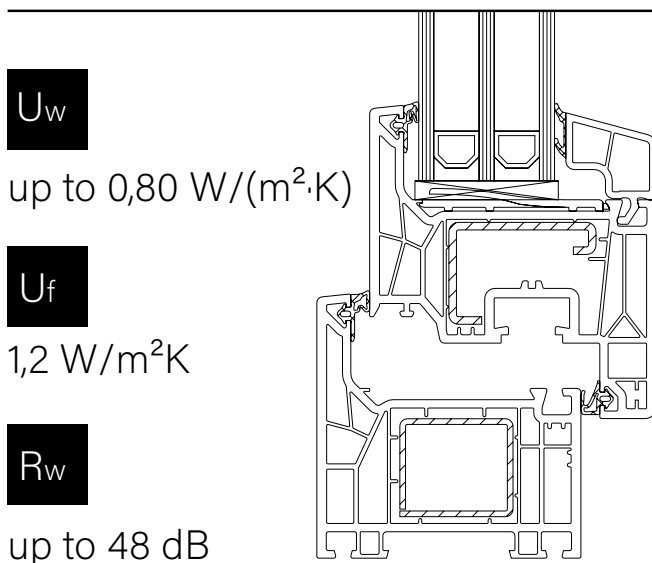


SCHÜCO
FOCUSING AS

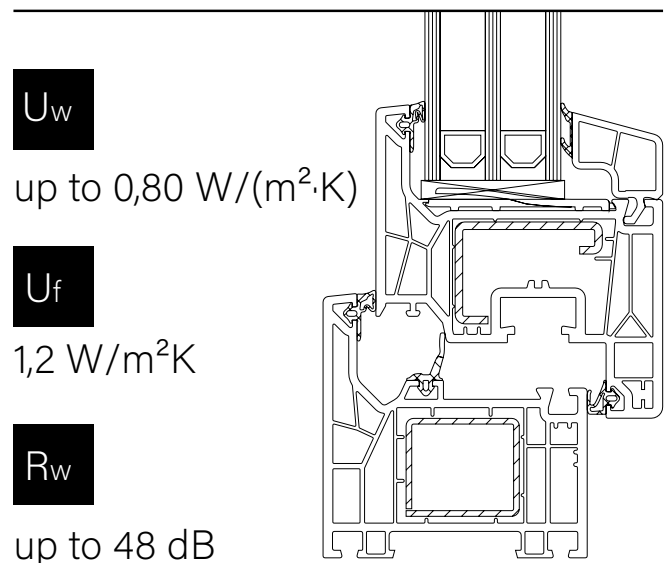


SCHÜCO
FOCUSING MD

SCHÜCO FOCUSING AS



SCHÜCO FOCUSING MD



SCHÜCO CT 70

Comfort windows for you, your family and the environment

The Schüco CT 70 is a true all-rounder. The Schüco CT 70 AS all-round system, with its excellent thermal insulation, is an outstanding range of rebated-seal systems for both renovation projects and new builds, and features a wide selection of accessories. We're opening up our modular system for you – mix and match to your heart's content to create the perfect window for your needs.

Schüco CT 70 is available with double or triple glazing and optional aluminium cladding.

LIVING CT 70 - CLASSIC



CT 70 CLASSIC

U_w

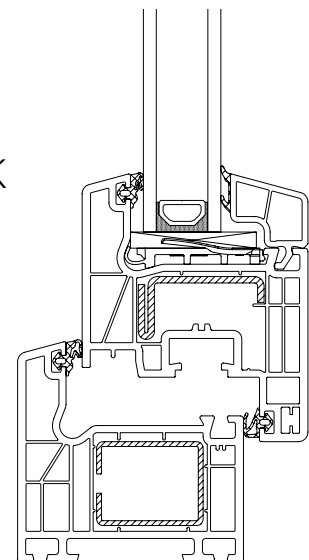
Up to 0,95 W/m²K

U_f

1,4 W/m²K

R_w

Up to 47 dB



TECHNICAL INFORMATION

Reference dimensions: 1230 x 1480 mm

Schüco CT 70

U_g glazing DIN EN 673 , ΔT (15° C) W/(m ² K)	U_f frame Tested (W/m ² K)	U_w window Insulating glass edge seal: warm edge ψ (Psi) 0,038 DIN EN ISO 10077-1 W/(m ² K)	SZR (space between panes/cavity) in mm Argon gas filling	Glass thickness mm Outside / Center / Inside
1,1	1,4	1,3	16 A	4 / 4
1,0	1,4	1,2	16 A	4 / 4
0,7	1,4	1,0	12/12 A	4 / 4 / 4
0,6	1,4	0,95	14/14 A	4 / 4 / 4

TECHNICAL INFORMATION

Reference dimensions: 1230 x 1480 mm

Schüco Focusing AS and MD

U_g glazing DIN EN 673 , ΔT (15° C) W/(m ² K)	U_f frame Tested (W/m ² K)	U_w window Insulating glass edge seal: warm edge ψ (Psi) 0,038 DIN EN ISO 10077-1 W/(m ² K)	SZR (space between panes/cavity) in mm Argon gas filling	Glass thickness mm Outside / Center / Inside
Schüco Focusing AS (rebate seal)				
1,1	1,3	1,3	16 A	4 / 4
1,0	1,3	1,2	16 A	4 / 4
0,7	1,3	0,99	12/12 A	4 / 4 / 4
0,6	1,3	0,92	14/14 A	4 / 4 / 4
0,5	1,2	0,82	18/18 A	4 / 4 / 4
0,5 warm edge ψ 0,03	1,2	0,80	18/18 A	4 / 4 / 4
Schüco Focusing MD (center seal)				
1,1	1,2	1,2	16 A	4 / 4
1,0	1,2	1,2	16 A	4 / 4
0,7	1,2	0,95	12/12 A	4 / 4 / 4
0,6	1,2	0,89	14/14 A	4 / 4 / 4
0,5	1,2	0,82	18/18 A	4 / 4 / 4
0,5 warm edge ψ 0,03	1,2	0,80	18/18 A	4 / 4 / 4

Schüco Living 82

U_g glazing DIN EN 673 , ΔT (15° C) W/(m ² K)	U_f frame Tested (W/m ² K)	U_w window Insulating glass edge seal: warm edge ψ (Psi) 0,038 DIN EN ISO 10077-1 W/(m ² K)	SZR (space between panes/cavity) in mm Argon gas filling	Glass thickness mm Outside / Center / Inside
Schüco Living 82 AS (rebate seal)				
1,1	1,3	1,3	16 A	4 / 4
0,7	1,1	0,92	12/12 A	4 / 4 / 4
0,6	1,1	0,85	14/14 A	4 / 4 / 4
0,5	1,1	0,79	18/18 A	4 / 4 / 4
0,5 warm edge ψ 0,03	1,1	0,77	18/18 A	4 / 4 / 4
Schüco Living 82 MD (center seal)				
1,1	1,2	1,2	16 A	4 / 4
0,7	1,1	0,92	12/12 A	4 / 4 / 4
0,6	1,1	0,85	14/14 A	4 / 4 / 4
0,5	1,0	0,75	18/18 A	4 / 4 / 4
0,5 warm edge ψ 0,03	1,0	0,74	18/18 A	4 / 4 / 4

Schüco Living Alu Inside

U_g glazing DIN EN 673 , ΔT (15° C) W/(m ² K)	U_f frame Tested (W/m ² K)	U_w window Insulating glass edge seal: warm edge ψ (Psi) 0,038 DIN EN ISO 10077-1 W/(m ² K)	SZR (space between panes/cavity) in mm Argon gas filling	Glass thickness mm Outside / Center / Inside
Schüco Living Alu Inside Standard (without insulation wedges)				
0,7	0,91	0,86	12/12 A	4 / 4 / 4
0,5	0,91	0,72	18/18 A	4 / 4 / 4
Schüco Living Alu Inside HI (with insulation wedges)				
0,7	0,83	0,83	12/12 A	4 / 4 / 4
0,5	0,81	0,69	18/18 A	4 / 4 / 4

LIFT-AND-SLIDE DOORS – PVC-U

Three main systems: Schüco LivingSlide, Schüco FocusingSlide and Schüco EasySlide



LIVINGSLIDE

The Schüco LivingSlide lift-and-slide door glides back and forth almost silently along the track. Stepping outside is effortless, comfortable and barrier-free. In combination with high-quality insulating glass, its innovative sealing concept provides optimum protection against wind, driving rain and noise.



FOCUSINGSLIDE

The Schüco FocusingSlide lift-and-slide door system impresses with a construction depth of 70/167 mm and outstanding performance figures. It is ideal for renovation projects as well as for modern new builds. Thanks to its well-thought-out design, the system offers excellent thermal insulation whilst maintaining sleek profile appearances.

The choice is yours with the Schüco EasySlide lift and slide door! Here you can choose from variants with two, three or four sashes. In addition, all doors based on Schüco CT 70 have different types of opening.

Your safety is ensured by the proven locking system for burglary resistance up to resistance class RC2.

WINDOW – ALUMINUM



Long lasting satisfaction

Windows made of aluminum are extremely weather-resistant, durable and low-maintenance: these are the advantages of the aluminum material, which is 100% recyclable and therefore environmentally friendly. The slim profile appearance allows more light coming in and yet it is still characterized by high strength. Enjoy life in bright indoor spaces.

Flexible surface design, standard concealed fittings and high sound insulation provide the best living comfort. The dirt-repellent surface allows a long lasting clear view without the need for frequent cleanings.

The tested safety technology also offers increased protection up to resistance class RC3.



EASYSLIDE



AWS 75. SI+

FRONT DOORS – PVC-U

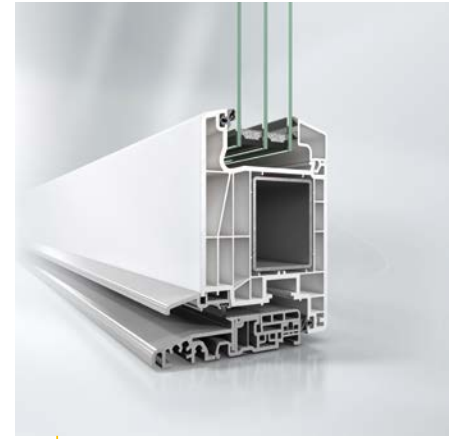
Front doors with a personal touch

When choosing a front door, our customers focus on appearance, security and thermal insulation.

Our many door variants also leave plenty of room for your creativity:

- single-sash or double-sash
- with side panel or skylight
- sash-covering or clamping filling
- numerous applications, glaziers and handles

Design your personal house appearance!



LIVING 82 AS/MD HT



CT 70 HT

FRONT DOORS – ALUMINUM



Also possible
foiled in
wood look.

Set accents at the front door

The almost unlimited choice of design ensures many possibilities for customization. Door frames and door panels can also be designed with different colors or foils on the inside and outside. A beautiful door makes coming home especially enjoyable. In addition, the aesthetic design and the rounded contours of the doors visually complement the window elements, for a strong overall appearance!

Aluminum front doors are extremely stable, heat-insulating and resistant to deformation.

They are also characterized by corrosion and weather resistance. Easy-to-integrate security functions as well as burglar resistance up to RC3 and increased sound insulation keep out what should stay out.



AD UP 75

SURFACES, COLORS AND FOILS



STYLISH HOME DESIGN IS ...

- ... when you can match all individual components and colors with each other
- ... a high-quality appearance that lasts for many years
- ... the successful combination of efficient use and timeless design

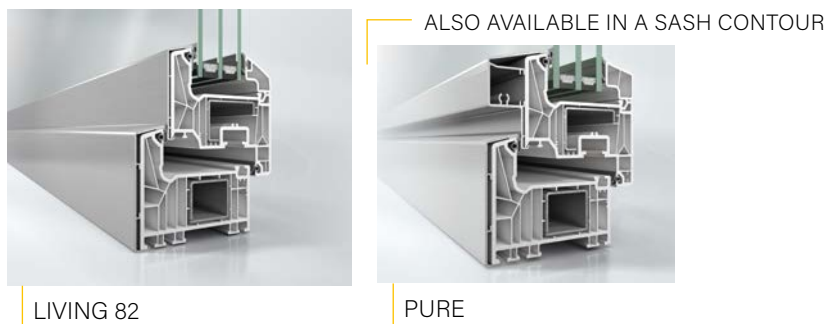
ALUMINUM COVER SHELLS

Keeping their promises - year in, year out

The Schüco TopAlu aluminum cover shells visually enhance PVC - U windows. As well as scoring points for their aesthetics, they are also extremely resistant. Coated or anodized aluminum has an almost unlimited shelf life and offers additional protection against weather conditions. This is the raincoat for your windows!

Although we may not be able to offer polka dots on a blue background, we can still offer almost everything else. More than 200 RAL colors, various surfaces, numerous combinations of sashes and frames as well as embossed and smooth structures with a miter joint or a butt joint can be ordered.

We also offer the modern, flush-fitting PURE sash frame profile from the Schüco Living system series. This creates a unique window appearance and protects your windows for many years to come.



COLORS AND FOILS

Your personal taste is our guiding principle

White, colored, embossed or smooth, the spectrum for the Schüco systems offers more than 60 variants of trendy, classic colors and wood foils. Color and lightfast, they brighten up our products with a highly individual expression.



BRILLIANT HIGHLIGHTS

Matt surfaces

Matt is trendy at this point in time. Not only for the interior, but also for the facade. Classic colors like anthracite, black and white can be combined with many materials. A matt finish provide a timeless and modern look not just outside, but also inside.



ROLLER SHUTTERS SHADING INSECT PROTECTION



EXCLUSIVE COMFORT IS ...

- ...more quality of life with less effort
- ...when your windows are functional and beautiful
- ...being carefree from worries, even when you are not at home

RADIO ROLLER SHUTTERS

Technology that thinks

Whether you are still on the road or already at home, the automatic controls of your radio roller shutters will take care of your home. Privacy protection, thermal insulation in winter or keeping the house cool in the summer can be easily controlled by the radio roller shutters with electric drive.



ROLLER SHUTTER BOX

Beautiful to the eye

The variant with a plastered panel is a visual highlight. Here the roller shutter panel can be flush mounted with the facade. The roller shutter box is completely hidden.



FRONT ROLLER SHUTTERS

Energy saving means environmentally friendly

Thanks to the installation in front of the window, there are no thermal bridges, which keeps energy costs low. Repairs as well as subsequent installations can be carried out easily with this construction.



INSECT PROTECTION

Customized for your window

Opening all the windows on a summer evening for a pleasant breeze or sleeping all night with the windows open are both very desirable, but only if the insects stay outside. Therefore, equip your windows with insect screens – a frame insert, roller blind or directly integrated into the roller shutter.



SAFETY COMFORT

**WINK
HAUS**

COMFORT SAFETY IS ...

- ...feeling well protected at home
- ...using intelligent variations
- ...creating safe spaces

VAULT BOLT LOCKING SYSTEM

Extra protection of what is important

With the combination of mushroom cam locking and vault bolt locking, burglars stand no chance of breaking in. This is because the extended bolt with deep indentation (called a vault) can withstand forces up to 5000 Newtons – a whopping 510 kg.

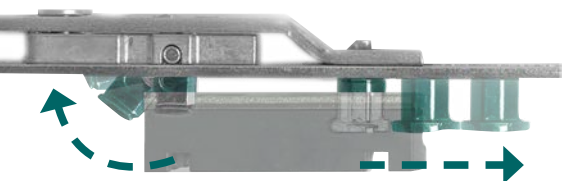
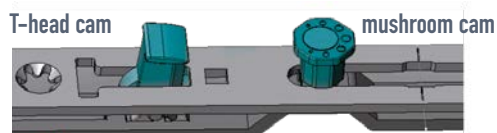
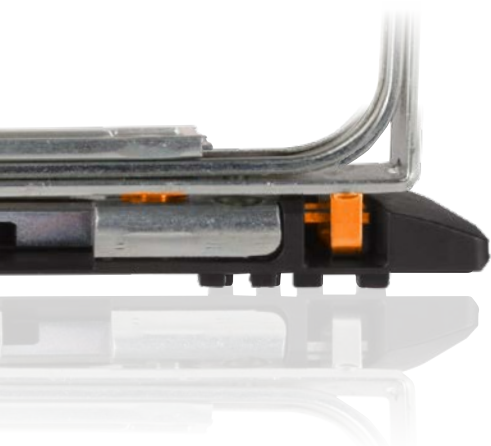
DUO-SAFE LOCKING SYSTEM

The counter-rotating safety lock*

Two locking elements lock pincer-like into a safety lock piece.

- One side special alloy T-head cam
- Other side octagonal locking bolt (mushroom cam)

* only available in SAFE1 fitting



ACTIVPILOT

High-quality tilt & turn standard fitting

The standard Winkhaus activPilot fitting has an attractive design. With stove-enameled corner and scissor bearings, additional functions and higher safety levels can be easily added.



ACTIVPILOT TOP SELECT

The invisible tilt & turn fitting

Large window sashes with triple glazing can be tilted and turned very easily with the activPilot Top Select tilt & turn fitting from Winkhaus. These concealed fittings with narrow frames and a correspondingly large glass surface also score points with increased burglary protection.



ACTIVPILOT COMFORT

The tilt & turn fitting with parallel action

The activ Pilot Comfort PADK (or without tilt function = PAD) from Winkhaus offers an additional opening option: the parallel action. Between the frame and the sash there is a 6 mm wide circumferential gap that continuously allows air into the room – without cooling, draft or wasted energy. The perfect ventilation window. For healthy and energy-saving ventilation.



SCS+ OPTION

The safe comfort sliding fitting

With the innovative comfort feed, the sash is automatically fixed in the closed position. This intelligent technology ensures harmonious, low-noise closing and opening. The new type of fitting eliminates operating errors and is operated intuitively and safely. A dampy system minimizes the risk of jamming. Due to the allround night ventilation, security is guaranteed even when ventilating in your absence (burglary test resistance class RC2). The ventilation position is not visible from the outside, and it allows a natural air exchange, a healthy living environment, as well as avoiding mold formation even in your absence.



HOW TO SECURE YOUR HOME

Windows, balconies and terrace doors are the access points for burglars to enter your home. Therefore, it is important to make these areas difficult to access.



Equipment	Standard	RC1 N	RC2 N	RC2	RC3
3 Security locking parts	X				
At least 4 Security locking parts		X			
Security locking parts on all locking points			X	X	X
Anti-drilling protection		X	X	X	X
Lockable Window Handle		X	X	X	X
Glass P4A				X	
Glass P5A					X
Glass bonding			X	X	X
Glazing beads clued with silicone		X			



Security windows simply explained

Find out exactly how you can protect yourself and your goods and which security technologies can help – we'd be happy to advise you.



FULLY AUTOMATIC HOUSE CONTROL

With a single click, you can close all the roller shutters. Your ventilation system works perfectly without you ever having to open a window. When it rains, open windows close automatically. Ensure the right lighting for special moments or opening the front door for your guests.

Do your children leave the house after you in the morning, and you want to make sure the house is really locked afterwards?

With a fully automatic safety locking system, you can do just that!
Controllable via fingerprint, radio remote control, transponder/chip card or key.

Home technology of the future.
This is safety at the very highest level.

Take advantage of the future right now!
Create more time for essential things.



up
FENSTER & TÜREN

uniplast GmbH Bauteile
Fabrikstr. 8-10 • 66506 Maßweiler
Tel: (06334) 92 12 - 0 • Fax: (06334) 58 57
info@up-fenster.de • www.up-fenster.de